

EN

KINGGATES



modus

AUTOMATION FOR SWING GATES
WITH LEAVES UP TO 4.2 m - 500 KG



Modus

Automation for swing gates with leaves up to 4.2 m - 500 kg

PATENTED PERFORMANCES

Thanks to its patented mechanics, Modus can automate big gates with dimensions up to 4.2 m and 500 kg. It has a precise mechanical limit switch regulation that allows a fine adjustment of the wing in opening and closing. Easy and fast to install with its 165 mm of width, available in two motor versions with two standard arms and two optional arms with sliding and rotating features for every type of installation.

4 kilograms of aluminum, 4-stage gear box entirely in stainless and high-quality synthetic lubricant make Modus a indestructible automation and can be used at any temperature.

The 24 V motor allows intensive use installations.

SMART TRADITIONAL ELECTRONICS

STARG8 control units radically simplify the installer's job, guaranteeing high levels of performance in terms of safety, time and speed of installation.

A single programming method speeds up the activation of the automatic devices and managing maintenance operations becomes simple and practical.

STARG8

1 control unit 24 Vdc and 1 control unit 230 Vac, for all gate motors.

Practical regulation using trimmers, self-learning gate travel programming using a single method, diagnostic LEDs and dip-switches for setting operating modes. Management of slow-down options, speed regulation and obstacle control in all versions. Plastic cover with explanatory labels and spare fuses.



1.



2.



3.

1. CONTROL UNIT

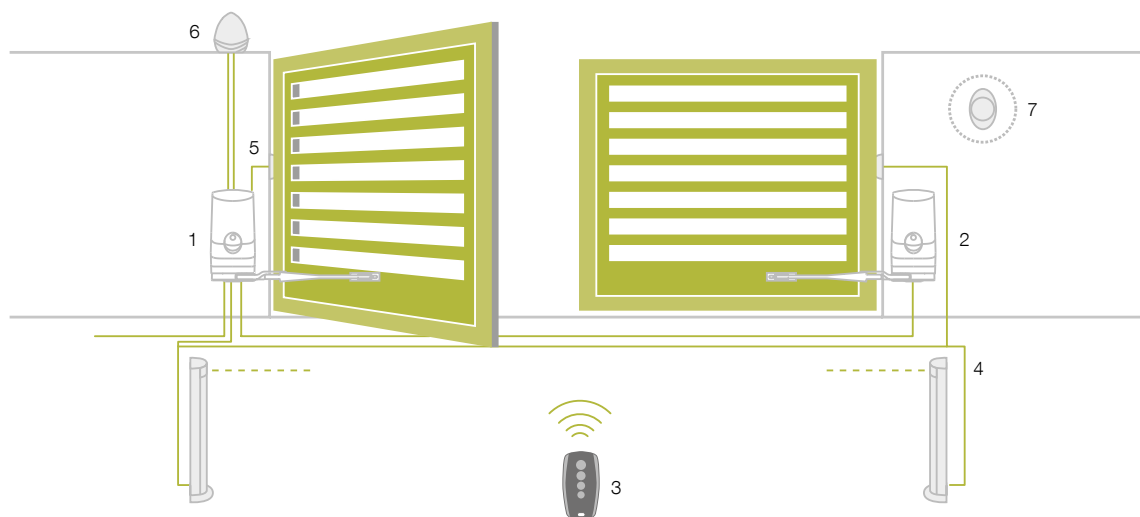
Fast regulation with trimmers and dip-switches, programming with self-learning function

2. ARTICULATED ARM

Strong die-cast aluminium arm with anti-shearing device

3. MECHANICAL LIMIT SWITCH

Strong adjustable steel limit switch

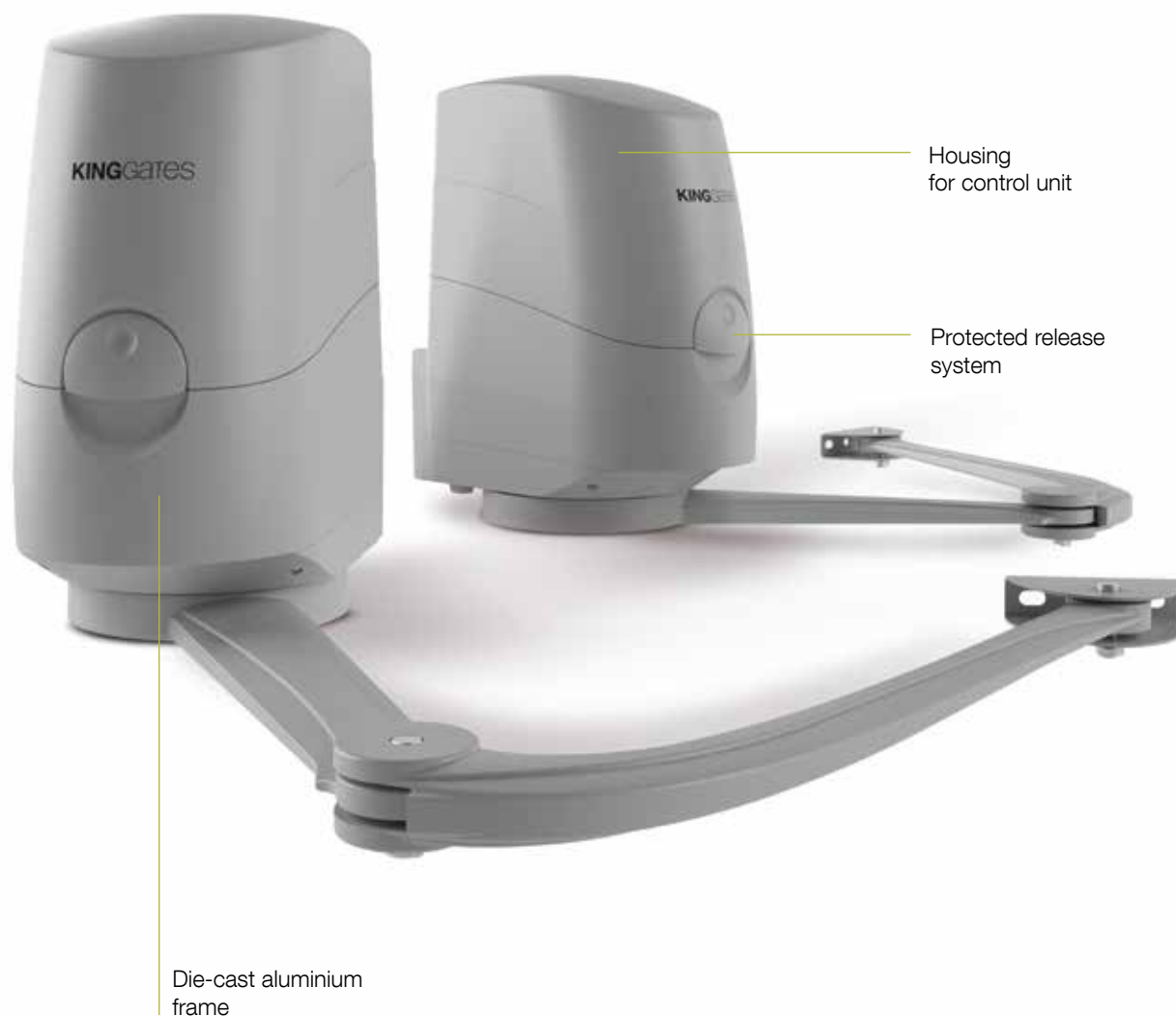


BASIC INSTALLATION

1. Operator Modus MA
2. Operator Modus SL
3. Transmitter
4. Photocells mounted on posts
5. Photocells
6. Flashing light
7. Key or digital switch

READY FOR




TECHNICAL DATA

Code		MODUS 280	MODUS 420
Mains power supply	(Vac 50 Hz)		230
Motor supply	(Vdc)		24
Maximum power draw	(W)	280	350
Speed	(rpm)		1.5
Torque max	(Nm)	650	760
Working cycle	(%)		80
Protection level	(IP)		44
Operating temperature	(°C)		-20 ÷ +55
Automation weight	(kg)		7.5
Operator dimensions	(mm)		165x250x306 h

Also available in 110 V / 60 Hz version

MODUS

Code	Motor	Control unit	Radio receiver	Mechanical stop	Fixing kit	Wing max dimensions
Modus 280 SL	24 Vdc	-	-	• (2)	•	2.8 m - 300 kg
Modus 280 MA	24 Vdc	STARG8 24	•	• (2)	•	2.8 m - 300 kg
Modus 420 SL	24 Vdc	-	-	• (2)	•	4.2 m - 500 kg
Modus 420 MA	24 Vdc	STARG8 24	•	• (2)	•	4.2 m - 500 kg

Gear motors Modus don't include the arm of connection to the leaf. It is necessary to choose the most suitable arm for the gate in the list of the following page.

MODUS KIT

Code	Modus 280 MA	Modus 280 SL	Modus 420 MA	Modus 420 SL	MO Link 420	Stylo 4K	Idea 24 Plus	Viky 30	Tab	Wing max dimensions
Modus Kit 280	•	•			• (2)	• (2)	•	•	•	2.8 m - 300 kg
Modus Kit 280 LT	•	•			• (2)	• (1)		•		2.8 m - 300 kg
Modus Kit 420			•	•	• (2)	• (2)	•	•	•	4.2 m - 500 kg
Modus Kit 420 LT			•	•	• (2)	• (1)		•		4.2 m - 500 kg

Code Novo Kit	Modus 280 MA	Modus 280 SL	Modus 420 MA	Modus 420 SL	MO Link 420	Stylo 4K	Novo LT 24 Plus	Novo PH 180	Tab	Wing max dimensions
Modus Kit 280 NV	•	•			• (2)	• (2)	•	•	•	2.8 m - 300 kg
Modus Kit 420 NV			•	•	• (2)	• (2)	•	•	•	4.2 m - 500 kg

Kits include the arm MO LINK 420.

24 V version also available for markets with 110 V / 60 Hz mains power supply



MODUS MA



MODUS SL



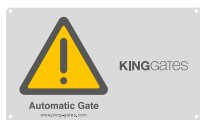
STYLO 4K



IDEA 24 PLUS



VIKY 30



TAB



NOVO LT 24 PLUS



NOVO PH 180



CONNECTION ARMS



MO LINK 180
For leaves up to 1.8 m.
Distance between the axle of rotation of the gate and the fixing surface of the gear motor 200 mm



MO LINK 420
For leaves up to 4.2 m.
Distance between the axle of rotation of the gate and the fixing surface of the gear motor 350 mm



MO L C18 SX
Sliding arm for leaves up to 1.8 m - 300 kg.
Left version

MO L C18 DX
Sliding arm for leaves up to 1.8 m - 300 kg.
Right version



MO Link R42
Rotative arm (Inclination +/- 8°)
Leaves max dimensions 4.2 m - 500 kg

ACCESSORIES



BK 40
Mechanical limit switch (2 pieces)



SBLO 800
External release



BAT M016
24 V 1.6 Ah battery



BAT K3
Battery charge card for BAT M016



LOCK HO
Horizontal electro lock 12 V

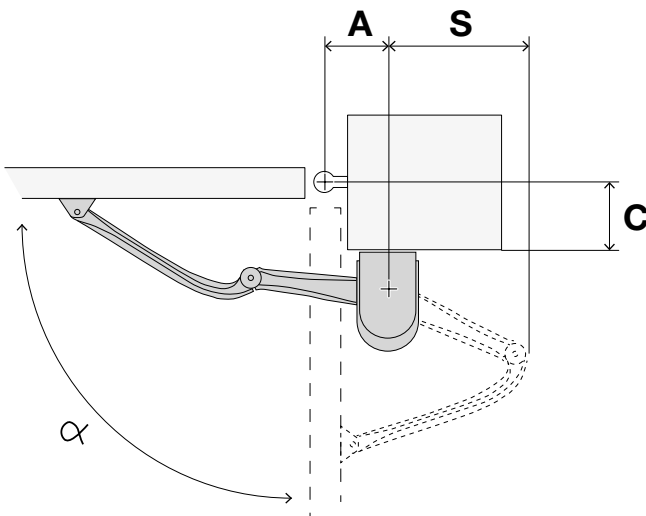


LOCK VE
Vertical electro lock 12 V



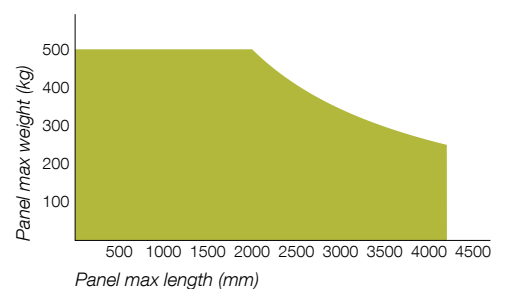
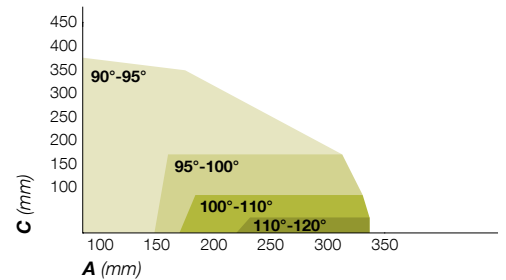
STARG8 24
24 Vdc spare control unit

LIMITS OF USE FOR THE PRODUCT



MO LINK 420

A	C	S	α
140	30	314	90
250	30	398	110
140	80	340	90
185	80	387	100
140	130	355	90
170	130	387	95
140	160	364	90
160	160	388	95
140	200	375	90
150	200	392	90
140	240	383	90
150	240	394	90
140	280	389	90
170	280	393	90
140	320	390	90
170	320	385	90



THE KING SPECIALIST



KINGspecialist app for installers

The KINGspecialist app allows you to complete all installation setup phases directly from your smart phone or tablet.

Thanks to the wifi module,

which can be coupled to STARG8 central units, every professional can now manage all the functions offered by the KING Smart Traditional electronic device simply and intuitively.

The App also introduces new functions, such as scheduling of periodical system maintenance, central unit check-ups and remote control management.



KGFL-MODUS/EN/00

KINGgates relies on a network of expert professional installers.

KINGspecialist is a programme available only to installers: KINGgates quality in the form of a service. Installer-friendly innovations and continuous updates to keep growing together.



KINGgates
www.king-gates.com

KING GATES srl

Via A. Malignani 42
33077 Sacile (PN) Italy
Ph. +39 0434 737082
Fax +39 0434 786031
info@king-gates.com